

CISOLIFT

CH1431

Heavy Duty Telehandler

The Cisolift CH1431 is a heavy duty and versatile telehandler, built to meet the demands of job sites requiring optimal lifting height and high load capacity.

- 4-wheel drive with 3 steering modes
- Urea-free emissions system
- Hydrostatic transmission for smooth and efficient operation
- Ergonomic cab offering superior comfort and visibility
- High lifting capacity suited for heavy-duty work

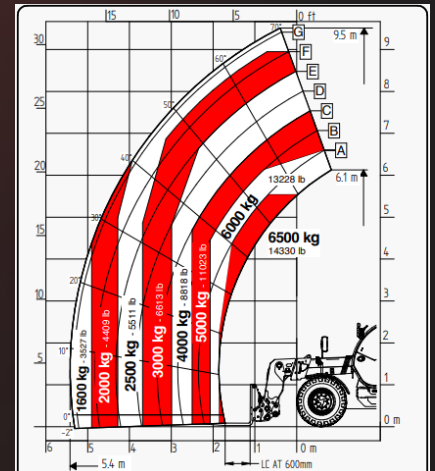


CISOLIFT

CH1431

Heavy Duty Telehandler

Designed in Canada. Made in Italy.



TECHNICAL FEATURES

Lifting height	31'1"	9.5 m
Turning radius	14'9"	4.5 m
Lifting capacity	6 500 kg	14 330 lbs
Length	19'5"	5 913 mm
Width	7'7"	2 316 mm
Height	8'4"	2 530 mm
Energy source	Diesel	

Transmission	Hydrostatic single gear	
Speed	40 km/h	
Engine Stage V	Deutz 101 hp	
Tires	445/65 22,5	
Emissions treatment system	Without Urea	
Diesel tank	120 l	
Weight	11 050 kg	24 361 lbs