



CISOLIFT

CH5719E

Electric Compact Telehandler

The Cisolift CH5719E is a compact and versatile **electric** telehandler, perfect for tight spaces where power and maneuverability are essential.

- Zero emission
- 4-wheel drive with 3 steering modes
- Ergonomic cab for optimal comfort and visibility
- Tight turning radius for excellent maneuverability



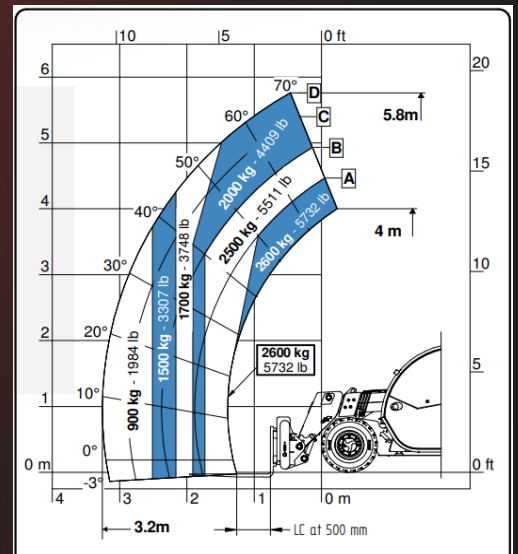


CISOLIFT

CH5719E

Electric Compact Telehandler

Designed in Canada. Made in Italy.



TECHNICAL FEATURES

| | | |
|-------------------------------|------------------|-----------|
| Lifting Height | 19'4" | 5.9 m |
| Max Horizontal Boom Extension | 10'5" | 3.18 m |
| Lifting Capacity | 2 600 kg | 5 732 lbs |
| Length | 13'3" | 4.04 m |
| Width | 6'2" | 1.88 m |
| Height | 6'3" | 1.91 m |
| Lithium Battery | 43 kW/h (560 Ah) | |

| | | |
|--------------------|----------------------|------------|
| Transmission Motor | 30 kW | |
| Speed | 12 km/h | |
| Turning Radius | 10'6" | 3.2 m |
| Wheels | 12-16.5 | |
| Hydraulic Capacity | 21.1 gal / 3,335 psi | |
| Controls | Proportional | |
| Weight | 4 800 kg | 10 582 lbs |