

# CISOLIFT

## CH8854

Designed in Canada by Cisolift. Made in Italy

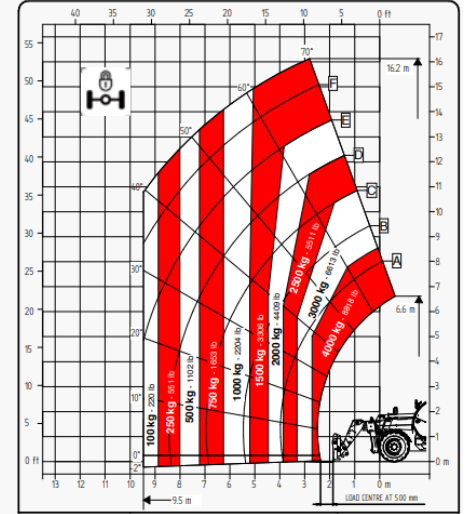
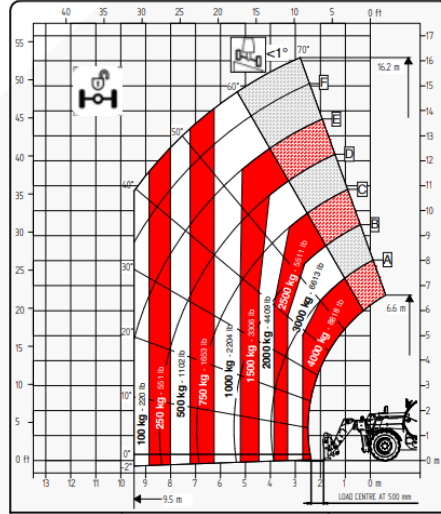
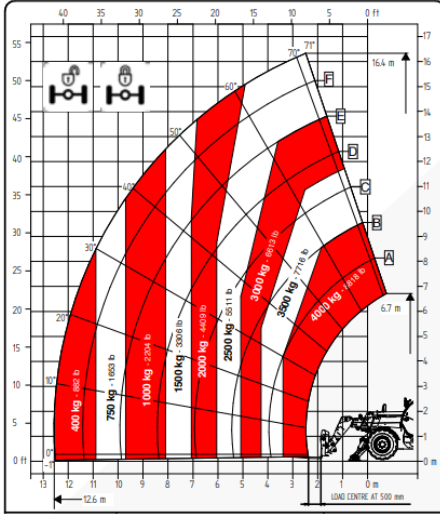
### Telehandler

The Cisolift CH8854 is a rugged and high-performance telehandler, ideal for demanding job sites that require high lifting capacity and extended reach.

- 4-wheel drive with 3 steering modes
- Emissions system that operates without urea (DEF-free)
- Hydrostatic transmission for smooth and efficient operation
- Ergonomic cab designed for comfort and optimal visibility
- Front stabilizers for excellent stability on all types of terrain



# LOAD CHARTS



# TECHNICAL FEATURES

Lifting height	53'10"	16,4 m
Turning radius	13'9"	4,2 m
Lifting capacity	4 000 kg	8 818 lbs
Length	21'3"	6 492 mm
Width	7'7"	2 316 mm
Height	8'2"	2 500 mm
Width with stabilizers	11'2"	3 414 mm

Transmission	Hydrostatic two mechanical gears	
Speed	25 km/h	
Engine Stage V	Deutz 75,3 hp	
Tires	405/70 20	
Emissions treatment system	Without urea	
Energy source	Diesel	
Weight	11 660 kg	25 705 lbs